

SMALLEST FEEDER MODEL

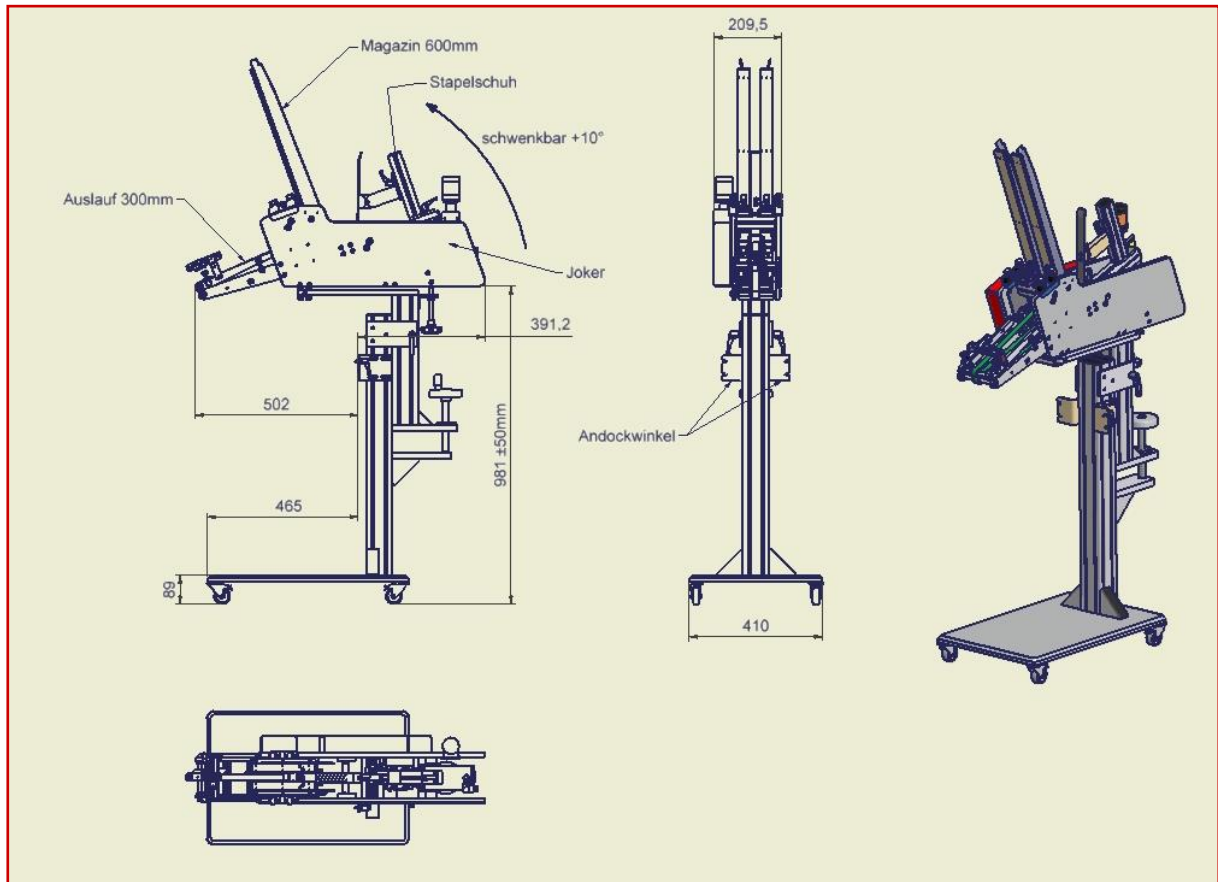
Application

The feeder was designed for a packaging machine used in the tobacco industry which could only be accessed with difficulty.

Advantage

The small design makes it possible to integrate the feeder into machines which, due to the limited space available, cannot accommodate auxiliary modules. This provides existing lines in particular with appropriate possibilities. The special frame allows the feed angle and feed height of the feeder to be adjusted.





The feeder is equipped with a separator especially adapted for small products such as enclosures and leaflets.

The feeder can also be supported on the side plate and, as with the labelling machine, "suspended" in the main machine.

Special designs

We are happy to work out for you the right concept and offer the appropriate solution for you. Talk to our design department of the possibilities.