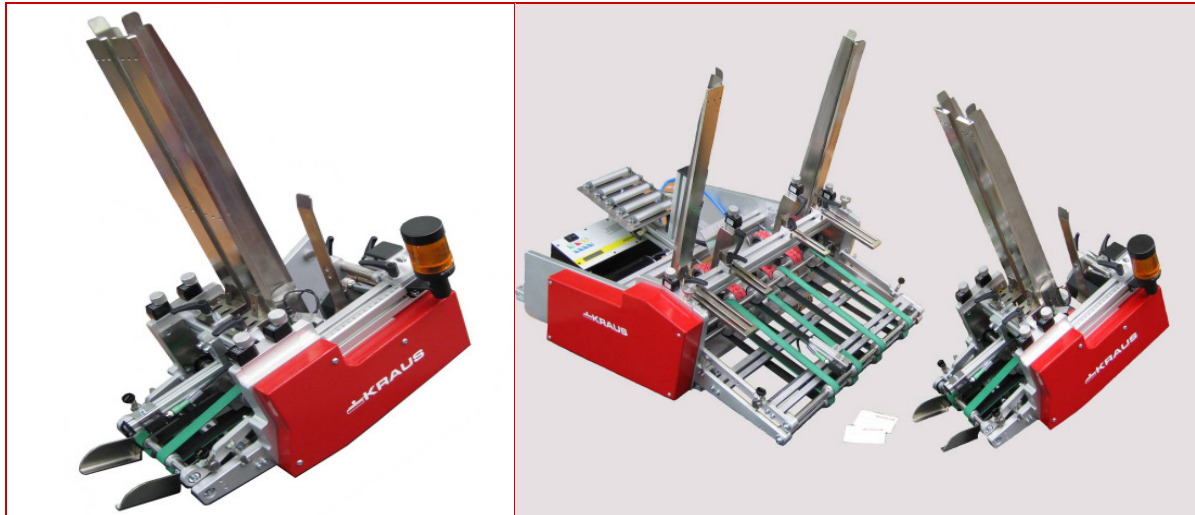


FRICION FEEDER JOKER SHORTY



The solution

The friction feeder JoKer Shorty was born out of listening to our customer which have a problem with space in their machines. It fits to all fast wrapping and cartoning machines, especially for pharmaceutical applications.

Advantage

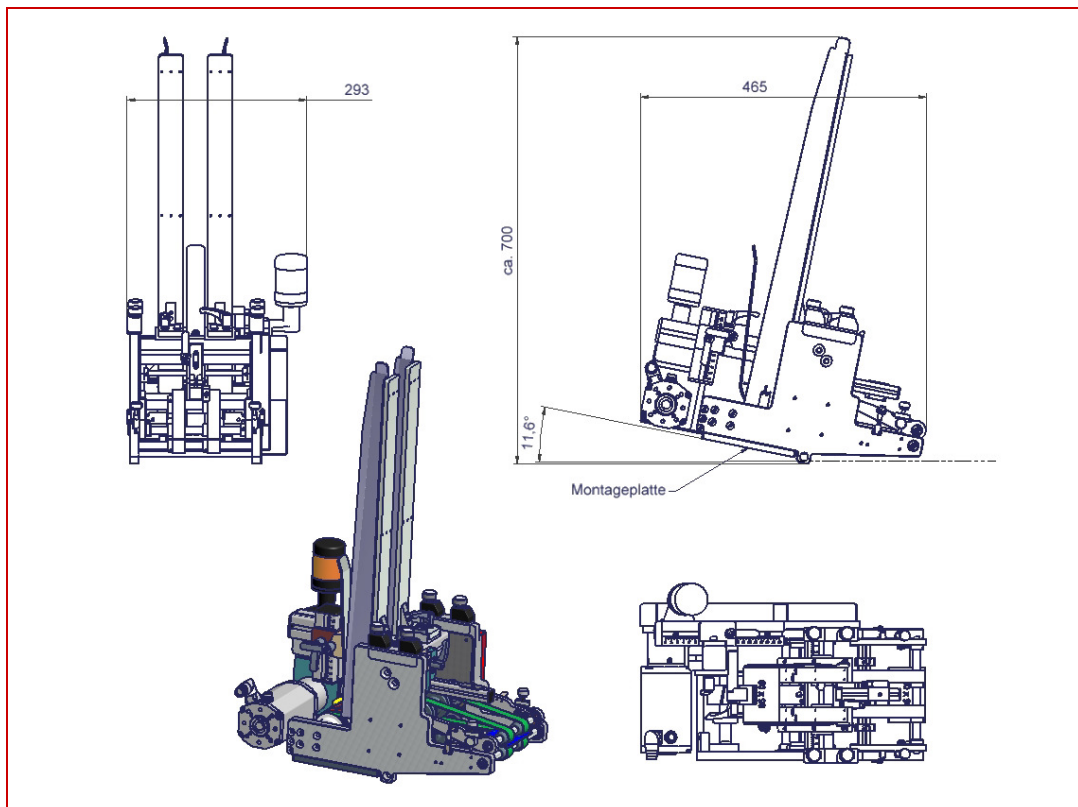
The JoKer Shorty is designed to integrate into machines which offer limited space for integration. Further the robust construction will ensure the longevity of the solution. With the powerful and dynamic servodrive, the JoKer Shorty gives you the best performance even for the integration in high speed machines.

Special designs

We are happy to work out for you the right concept and offer the appropriate solution for you. Please talk to our project department about the possibilities.

Technical data

Feeding Width:	135mm, 165mm, 250mm, 305mm
Feeding Performance:	150 m/min
Power Input:	230V / 50 Hz / 300 VA
Control Box:	microcontroller with PLC interface
Maximum Product Thickness:	0 – 10 mm Standard
Size of Products:	min. 40 x 40 mm, max. 250 x 305 mm depending on feeding width
Products:	min. 60 g/m ² plano oder gefaltet; produktabhängig
Product Magazine:	600 mm



Special designs

We are happy to work out for you the right concept and offer the appropriate solution for you. Please talk to our project department about the possibilities.